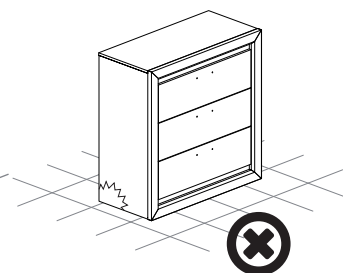
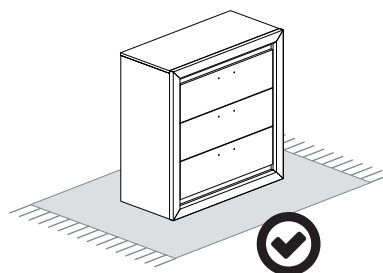
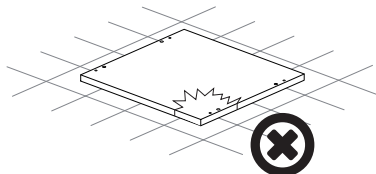
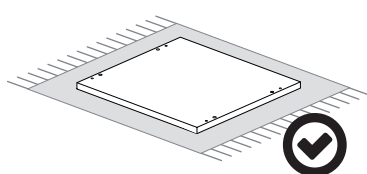
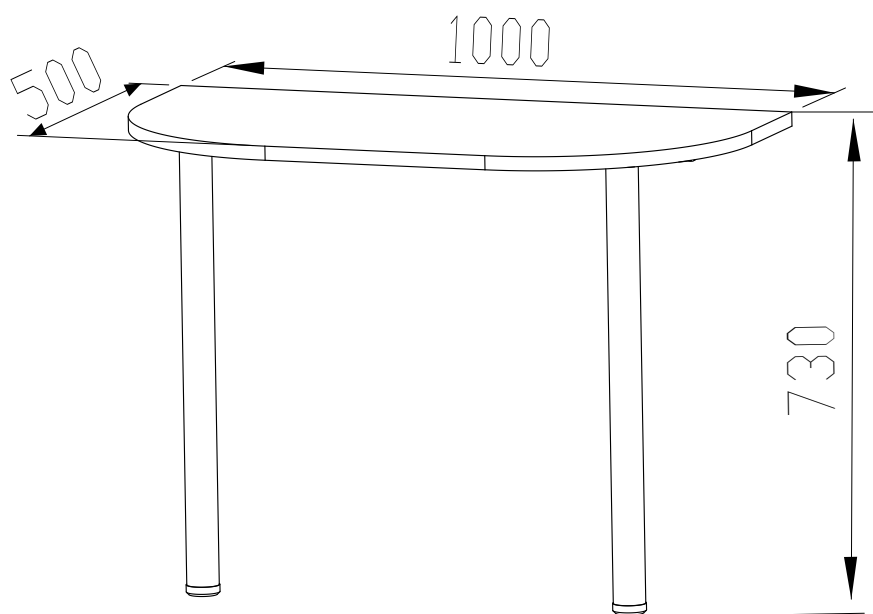
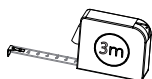
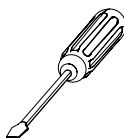
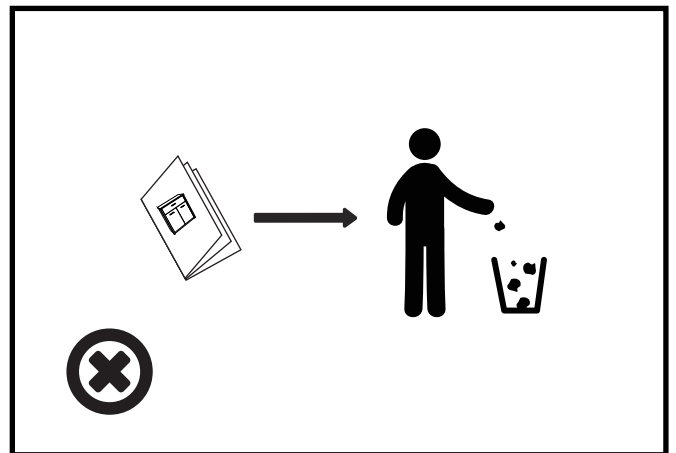
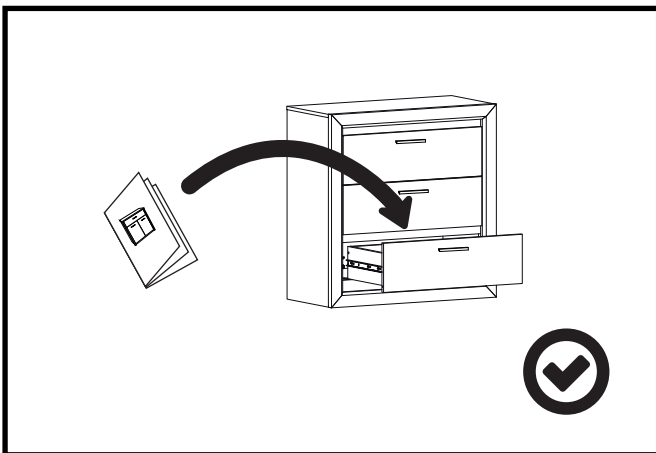
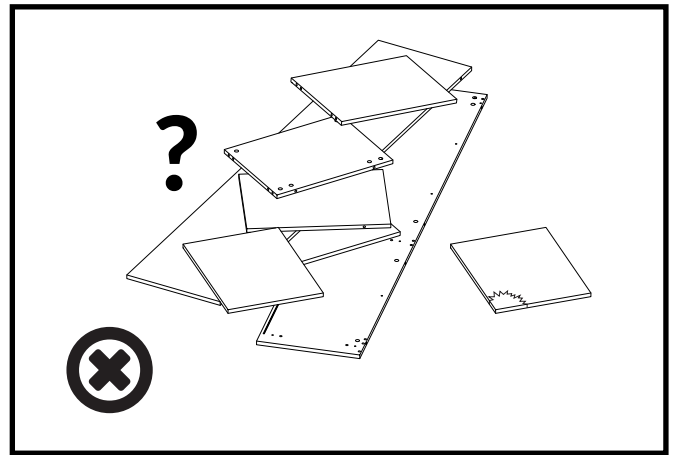
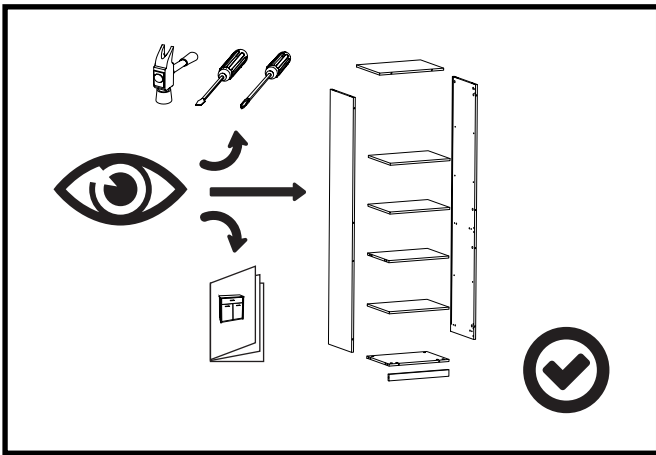
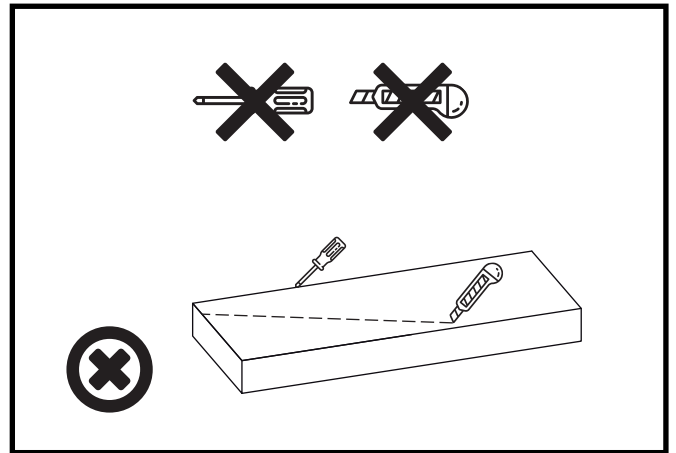
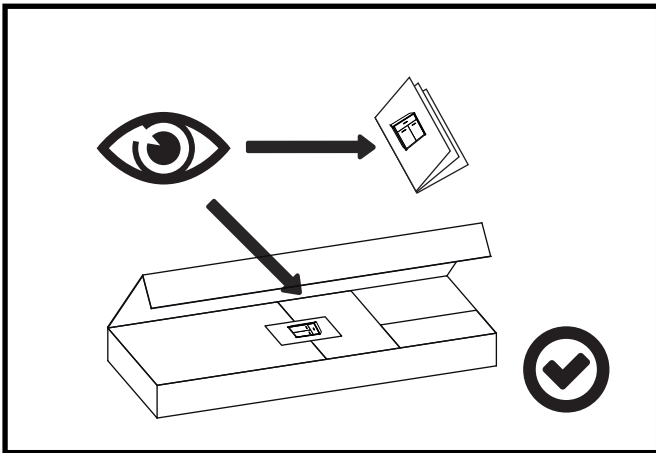
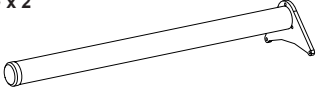
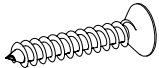
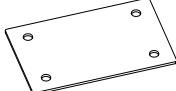
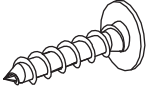


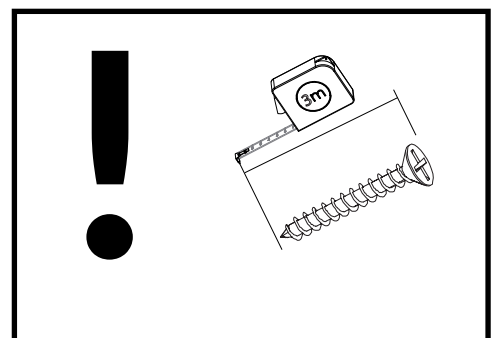
OPTIMAL 18



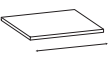

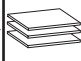


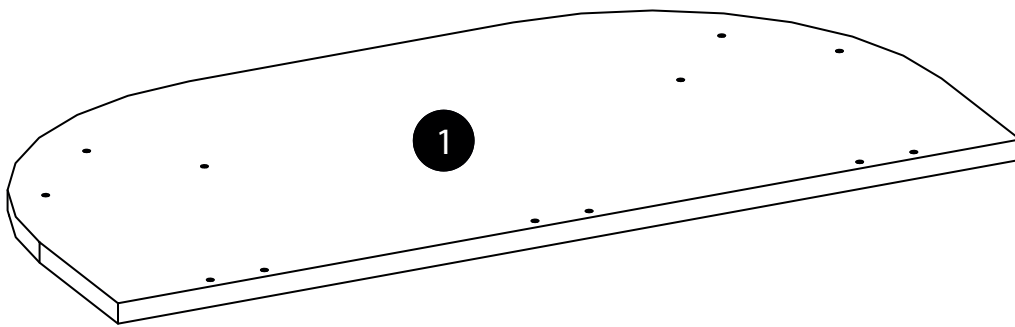
OPTIMAL 18

<p>NS1 x 2</p> 	<p>WT34 x 10 5x20</p> 	<p>PM1 x 3</p> 
<p>WT2 x 12 3,5x16</p> 		

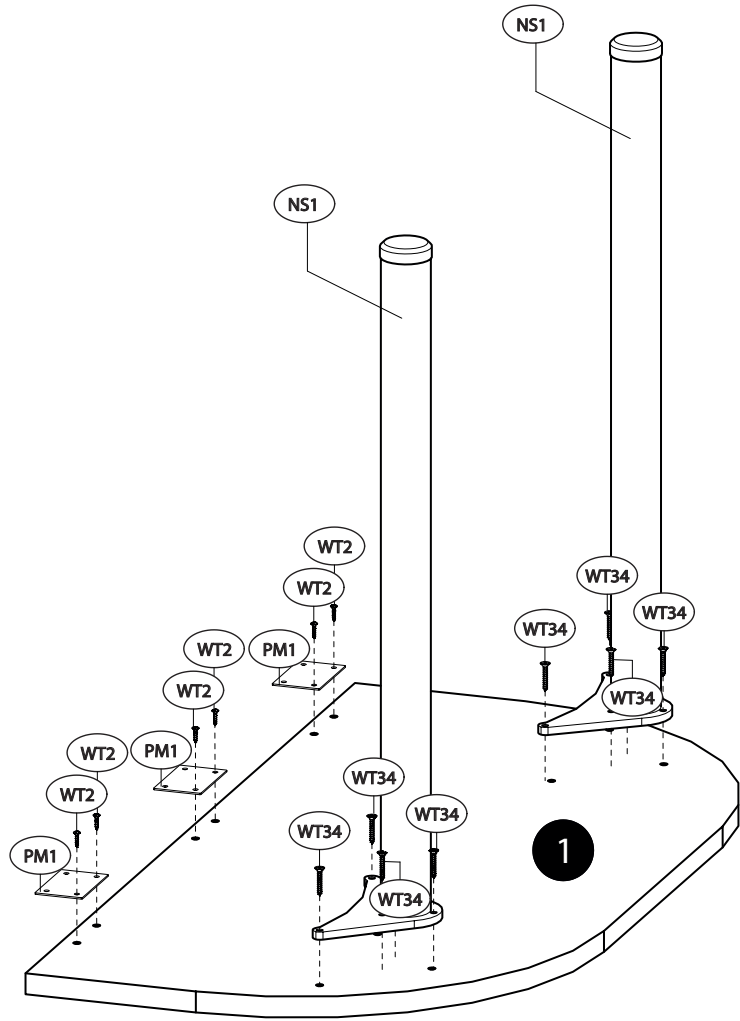


OPTIMAL 18

		
1000	500	1



A ▶



B ▶

